

# Unique Learning Experience for Training

*Increase engagement, reduce training time and training material maintenance costs*

## The Challenge

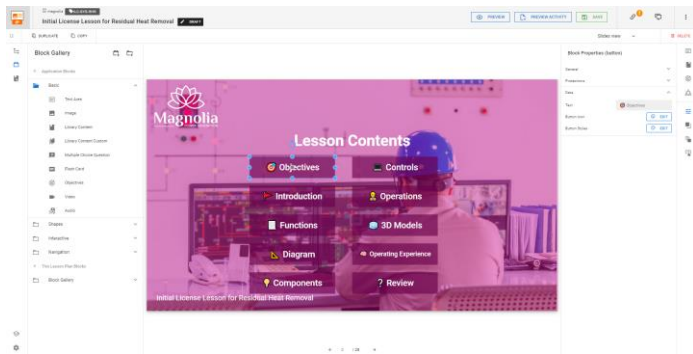
System's training is probably the most overwhelming training that plant personnel need to go through.

PLANT™ combines all your training content in one unique platform that allows students to learn by interacting and exploring

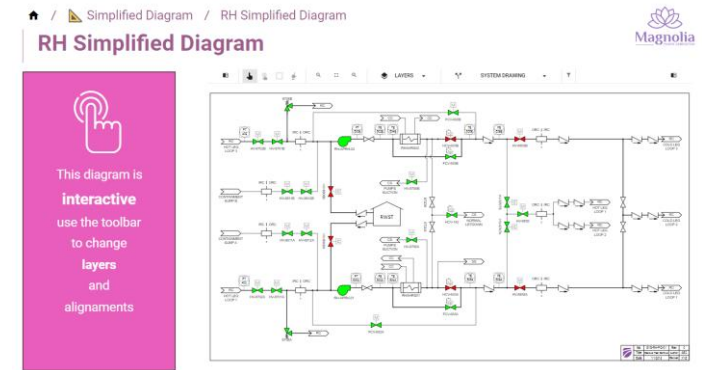
**The core of PLANT™ is the interactive diagrams developed to create one digital, interactive and easy to use visual aid that contains as much information as possible.**

## PLANT™ Features

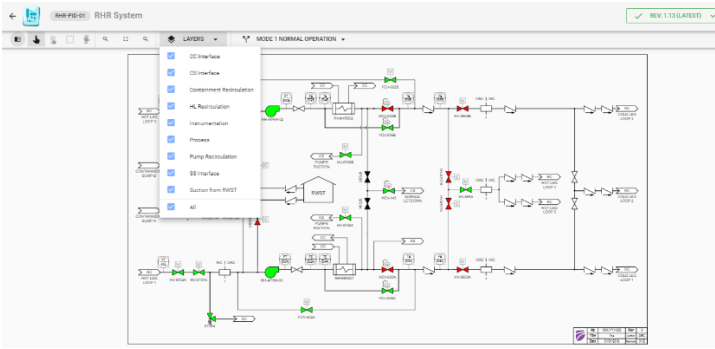
**Interactive Presentation**– Generate highly interactive and customized slides for your training material, by directly dragging and dropping from an extensive library of features and blocks.



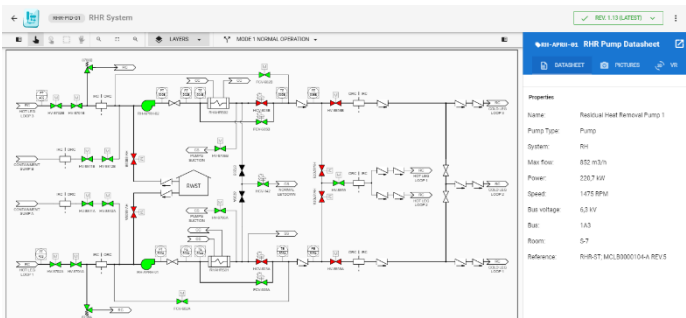
**Interactive Diagrams** - Interactive diagrams are the hub of PLANT™ through a clear and colorful graphical representation. Using layering, tagging, and other interactive features, diagrams are a single, digital visual aid able to display a vast array of information. Diagrams and other content can be linked together creating a virtual tour of training material. Other features, such as highlighting and shadowing, present added tools for both instructor and student.



**Datasheets** - With the diagram as the centerpiece, interactive windows on either side contain description, classification, 2D and 360° photos and videos, or just plain text. Component level information and text can be assembled in a data sheet and linked to the diagram via tagging.

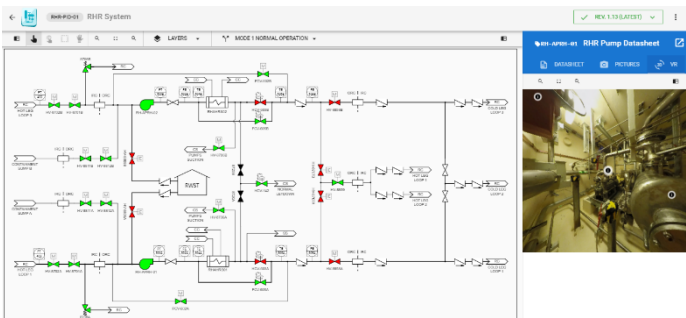


- A tool that has the ability to show and hide different parts of a system with just a mouse click.



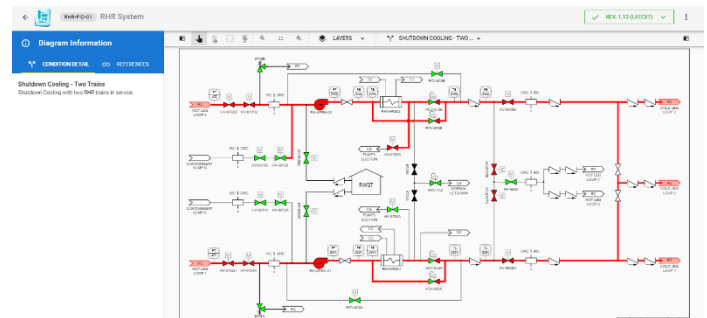
- A components detail window which shows details of system components when the student clicks on the component.

**360° Photos, 360° Videos, Laser Scanning, Virtual Reality (VR), Augmented Reality (AR) and 3D Animation-** Training material innovation through the addition of these types of content elevates training quality to a whole new level. Tagging of components within these graphical content types can also be linked back to the diagram and displayed in interactive windows.



**Activities** - A multitude of student activities are easily designed in PLANT™. Flashcard, multiple choice, fill in the gap, and drag and drop style questions can be created with included templates.

**Server Based Application** - PLANT™ is a server-based application that can be accessed from any device while hosted on a secure server, including a cloud-based server.



**Content Management-** PLANT™ utilizes the “warehouse” concept when managing content by maintaining a single source for added material. Revisions are easily managed and reach all uses of the material in a lesson guide, greatly reducing training material maintenance.

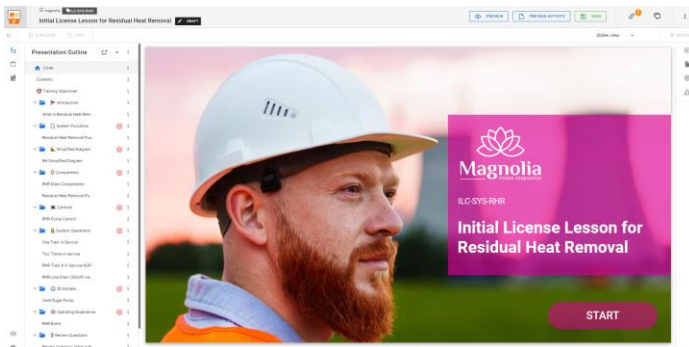
All of the features above are supported by a centralized knowledge management database. Any multimedia file that can be viewed from a web browser can be linked to the diagrams. This includes but not limited to PDF

## Systematic Approach to Training Compliance

With PLANT™, instructors can create objective based training materials following the Systematic Approach to Training Methodologies.

The content is created at a learning objective level, so the multimedia objects from the PLANT™ database are combined to create “Learning Objects” for each specific learning objective, which allows for reusability and content sharing.

Then, these learning objects are sequenced in a “Learning Guide” that contains the lesson plan that the instructor will follow in the classroom. This Learning Guide can be also used for self-study or Computer Based Training.



## Benefits

Recent Business Case performed by Accelerant Solutions estimates a 25-35% cost reduction. The main advantages of using PLANT™ over traditional methods are:

- ✓ Only one set of training materials for all training programs. Less training material maintenance
- ✓ Instructor preparation time reduction
- ✓ Reduced student training time (shorter qualification period)
- ✓ Less required face to face classroom time. 24/7 Access
- ✓ Dose reduction (virtual plant walk-throughs)
- ✓ Easy to use. Flexible and Scalable
- ✓ Improves long-term knowledge retention
- ✓ Supports modern learning styles



3440 Toringdon Way, Suite 205  
Charlotte, North Carolina 28277  
www.tecnatom.com

Recent results show an increase of 5 points over the historical average on test results, when using PLANT™ for systems training.

## About Tecnatom and Accelerant

*Tecnatom* is an international company established in 1957 that support of the operation and maintenance of commercial Nuclear Power Plants worldwide. It's nuclear training business unit has more than 180 qualified instructors that leverage in-house training technology, including full-scope simulators, to improve quality. Tecnatom's offices in North America are in Charlotte, North Carolina.

Tecnatom has partner with *Accelerant Solutions* to deploy innovative training solutions in North America. Accelerant is an Ohio-based, nuclear training consultant company with a broad portfolio of services for the training departments, including Project Management, Regulatory Compliance, Training Program design and optimization among others.

Accelerant and Tecnatom USA have managed large scope projects, providing oversight of developers and subject matter experts, requiring minimal stress on customer resources. Developers include an array of expertise, including graphical designers, drafters, and instructors.

Visit [www.MyPlantTraining.com](http://www.MyPlantTraining.com) to learn more about PLANT® and download the business case.



2257 N. Manor Dr.  
Genoa, Ohio 43430  
www.discoveraccelerant.com